

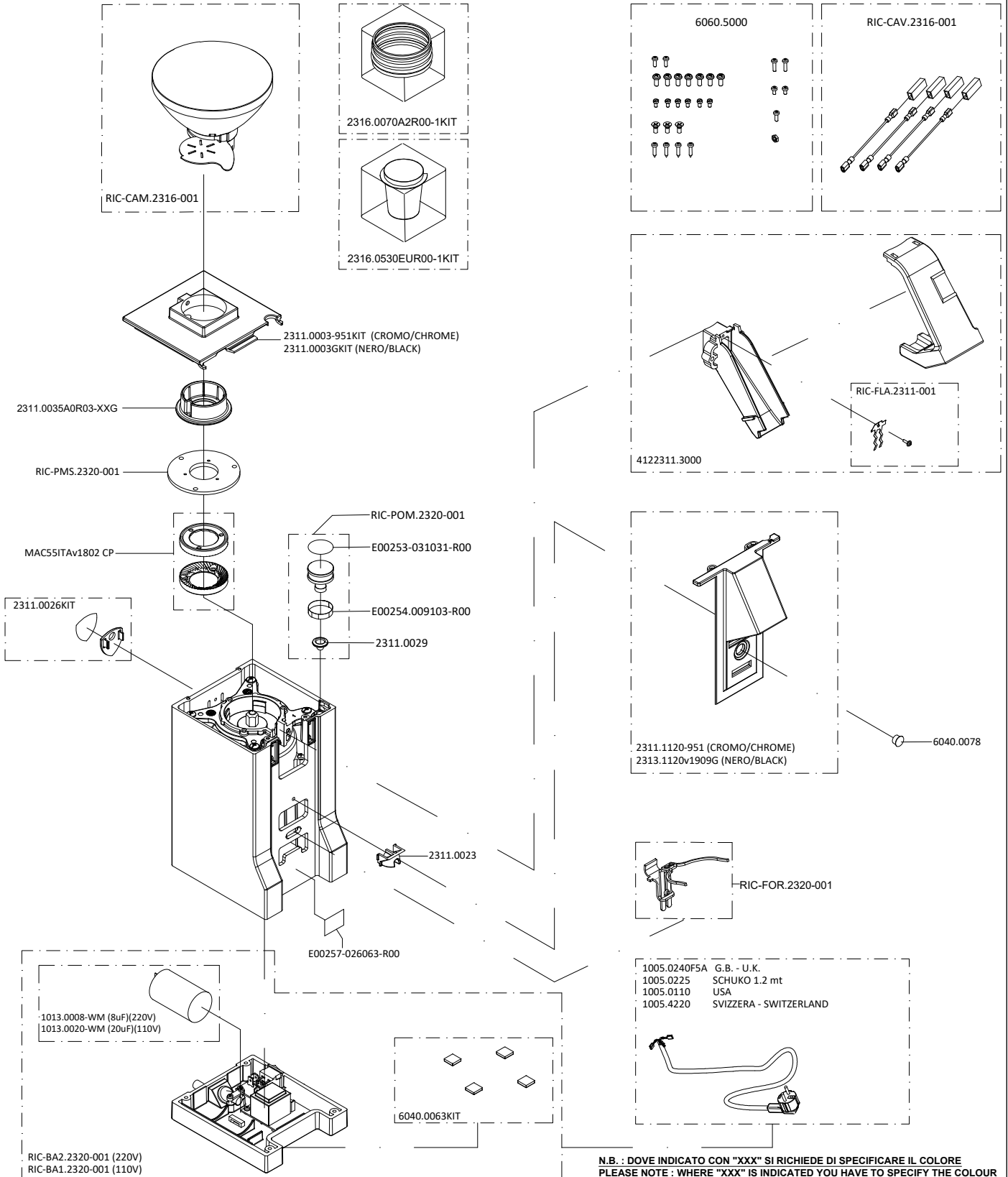


MIGNON ZERO

ESGR-2320-01v2149

110V/60Hz - 220V/60Hz - 220-230V/50Hz - 230-240V/50Hz

19/06/2023



N.B. : DOVE INDICATO CON "XXX" SI RICHIEDE DI SPECIFICARE IL COLORE
PLEASE NOTE : WHERE "XXX" IS INDICATED YOU HAVE TO SPECIFY THE COLOUR



**YOUR COFFEE
EXPERIENCE**

Listino ricambi/ Spare Parts Price List **MIGNON ZERO**

ARTICOLO ITEM N°	DESCRIZIONE DESCRIPTION	PREZZO PRICE
1005.0110	CABLAGGIO UL/CSA V110 USA/CANADA PLUG V110	€ 8,10
1005.0225	CABLAGGIO MONOFASE mt.1,20 spina schuko SCHUKO PLUG 1.2 mt V220	€ 8,10
1005.4220	CABLAGGIO MONOFASE per Svizzera SWITZERLAND PLUG V220-230	€ 8,10
2311.0023	TASSELLO PORTAFILTRO MIGNON ME/MP FILTER HOLDER	€ 4,05
2311.0029	GUARNIZIONE POMELLO MIGNON v. 1708 MIGNON KNOB SEAL	€ 1,40
6040.0078	TAPPO DECORATIVO A=11.9 B=17.5 FRONT PLUG	€ 0,64
6060.5000	KIT VITERIE x MIGNON senza display MOUNTING SCREW KIT MIGNON	€ 10,32
4122311.3000	GRUPPO SCIVOLO CAFFE' x MIGNON NUOVO COFFEE EXIT SLIDE GROUP	€ 21,08
1005.0240F5A	CABLAGGIO VOLT. 240 per GB + fus. 5A U.K. PLUG V230-240	€ 14,81
1013.0008-WM	CONDENSATORE 8MF 425-475-500Vac 50/60Hz CAPACITOR 8µF 425-475-500Vac 50/60Hz	€ 13,41
1013.0020-WM	COND. 20MF 400-450Vac 50/60Hz (UL) CAPACITOR 20MF 400-450Vac 50/60Hz	€ 13,41
2311.0003-951KIT	KIT COPERCHIO CROMO MIGNON ME TOP COVER KIT (CHROME)	€ 17,08
2311.0003GKIT	KIT COPERCHIO NERO MIGNON ME TOP COVER KIT (BLACK)	€ 6,33
2311.0026KIT	KIT SCUDETTO EUREKA MIGNON SILENT EUREKA 1920 LOGO KIT w/ SCREW	€ 4,24
2311.0035A0R03-XXG	GUARNIZIONE CAMPANA MIGNON BEAN HOPPER SEAL	€ 2,66
2311.1120-951	FRONTALINO PL CROMO x MIGNON v.1708 FRONT COVER (CHROME)	€ 26,82
2313.1120v1909G	FRONTALINO PL GOFFRATA x ME/MP v.1909 FRONT COVER (BLACK)	€ 13,41



**YOUR COFFEE
EXPERIENCE**

Listino ricambi/ Spare Parts Price List **MIGNON ZERO**

2316.0070A2R00-1KIT	KIT 1 SOFFIETTO BLOW UP SD 2 ONDE BLOW UP FOR SINGLE DOSE HOPPER	€ 45,00
2316.0530EUR00-1KIT	KIT 1 BICCHIERINI EUREKA INOX LUX SINGLE DOSE DOSING CUP	€ 25,00
6040.0063KIT	KIT PIEDINI BASE PLASTIC FEET KIT	€ 2,02
E00253-031031-R00	ETICHETTA POMELLO GIGLIO ARG. MIGN. ZERO MIGNON ZERO UPPER DIAL LABEL	€ 10,12
E00254-009103-R00	ETICHETTA POMELLO TACCHE ARG MIGNON ZERO MIGNON ZERO GRADUATED DIAL LABEL	€ 3,80
E00257-026063-R00	ETICHETTA MIGNON ZERO CROMO/NERO MIGNON ZERO FRONT LABEL	€ 5,83
MAC55ITAv1802 CP	COPPIA MACINA PIANA mm.55 DE/GC FLAT BURRS SET 55mm	€ 21,98
RIC-BA1.2320-001	RIC. BASE110_ZERO/ZBREW_STD BASE GROUP 110v	€ 30,36
RIC-BA2.2320-001	RIC. BASE220_ZERO/ZBREW_STD BASE GROUP 220v	€ 30,36
RIC-CAM.2316-001	RIC. CAMPANA_SD_BASSA TRASP SINGLE DOSE HOPPER	€ 48,07
RIC-CAV.2316-001	RIC. CAVI_SD_STD CABLE KIT	€ 5,70
RIC-FLA.2311-001	RIC. FLAP_FILTRO SILENT_STD FLAP KIT	€ 13,04
RIC-FOR.2320-001	RIC. FORCELLA_ZERO/ZBREW_STD MIGNON ZERO/ZBREW FORK	€ 33,14
RIC-PMS.2320-001	RIC. PORTAMACSUP_55mm_STD UPPER BURR HOLDER 55mm STD	€ 41,31
RIC-POM.2320-001	RIC. POMELLO_ZERO/ZBREW_ZERO DIAL KIT ZERO/ZBREW	€ 28,84



**YOUR COFFEE
EXPERIENCE**

Listino ricambi/ *Spare Parts Price List* **MIGNON ZERO**

- Gli articoli evidenziati sono i ricambi delle parti soggette a maggiore usura, e quindi il loro approvvigionamento è particolarmente consigliato
 - Tutti i prezzi si intendono IVA esclusa
 - La merce viene venduta franco fabbrica a Sesto Fiorentino (FI) e viaggia a rischio del committente.
- The items highlighted are the spare parts of the pieces subject to greater wear, and therefore their supply is particularly recommended
 - All prices are intended VAT excluded
 - Goods are sold ex works from Sesto Fiorentino (FI), Italy and travel at the risk of the Customer